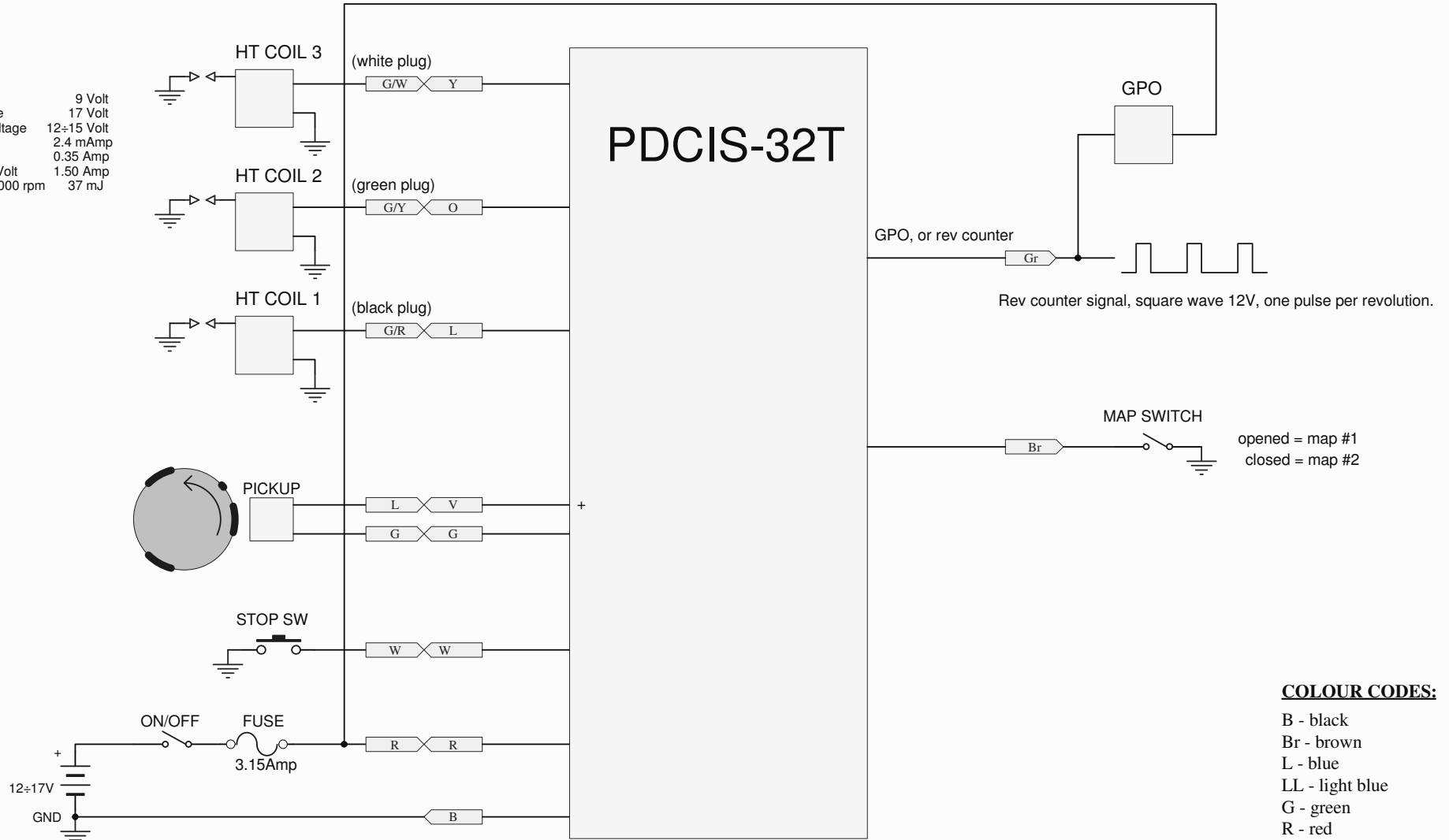




# WIRING DIAGRAM ZXI1100

**TECHNICAL DATA:**

minimum power supply voltage	9 Volt
maximum power supply voltage	17 Volt
recommened power supply voltage	12±15 Volt
power down current draw	2.4 mAmp
idle current draw	0.35 Amp
current draw at 8000 rpm / 14 Volt	1.50 Amp
constant output energy up to 8000 rpm	37 mJ



Automatic power down mode.  
 Power down current draw is 0.0024Amp.  
 8Ah battery will drain in about 4 months.  
 Switch off when long time not in use.

CDI have to be placed inside sealed e-box to prevent flooding and possible damage of CDI unit.

**COLOUR CODES:**

- B - black
- Br - brown
- L - blue
- LL - light blue
- G - green
- R - red
- W - white
- Gr - gray
- V - violet
- P - pink
- O - orange