

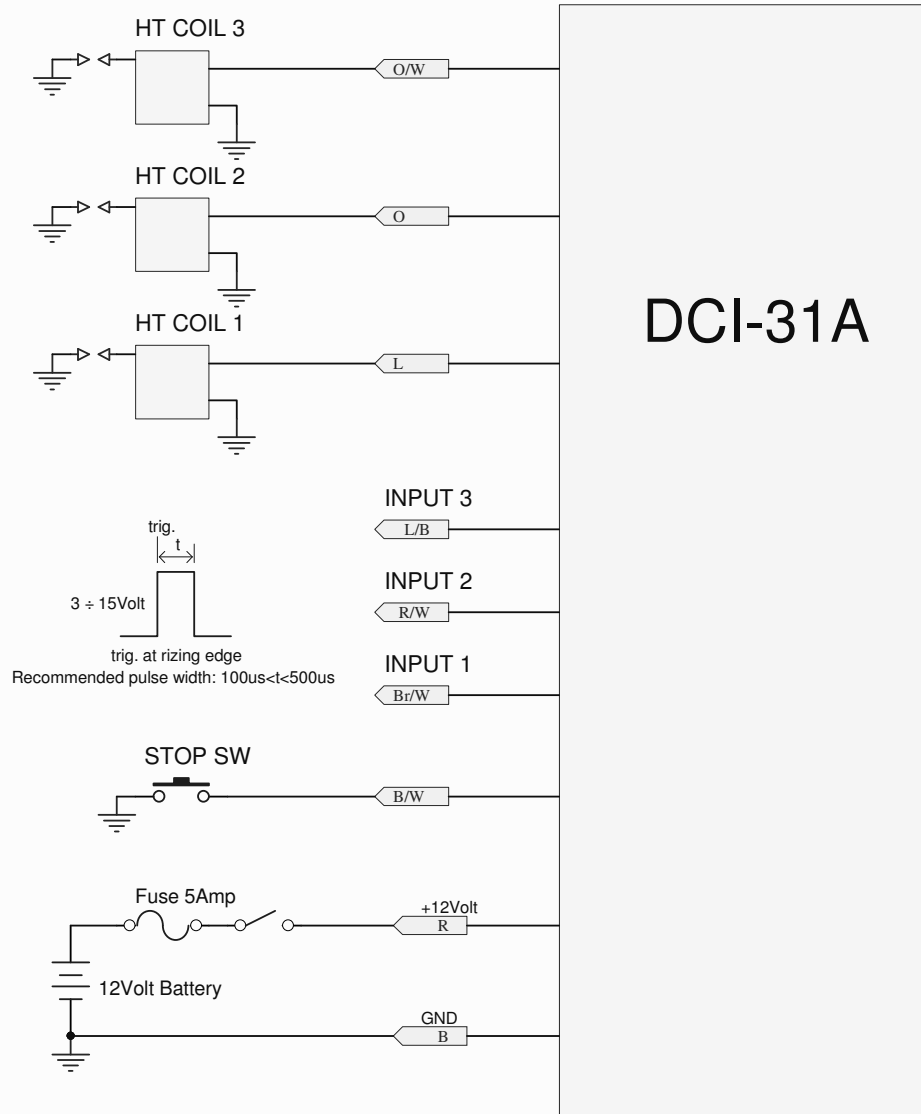


NON PROGRAMMABLE DC-CDI WITHOUT TIMMING FUNCTION

Resistor spark plugs must be used!

Recommended ignition coil resistance less then 0,7 ohms.

Recommended ignition coil inductance less then 1mH.



DCI-31A

TECHNICAL DATA:

minimum power supply voltage	9 Volt
maximum power supply voltage	17 Volt
recomended power supply voltage	12÷15 Volt
stand-by current draw	0.16 Amp
idle current draw	0.30 Amp
current draw at 10000 RPM	1.80 Amp
current draw at 14000 RPM	2.50 Amp
output energy at each channel	>40 mJ

COLOUR CODES:

- B - black
- L - blue
- R - red
- O - orange
- W - white