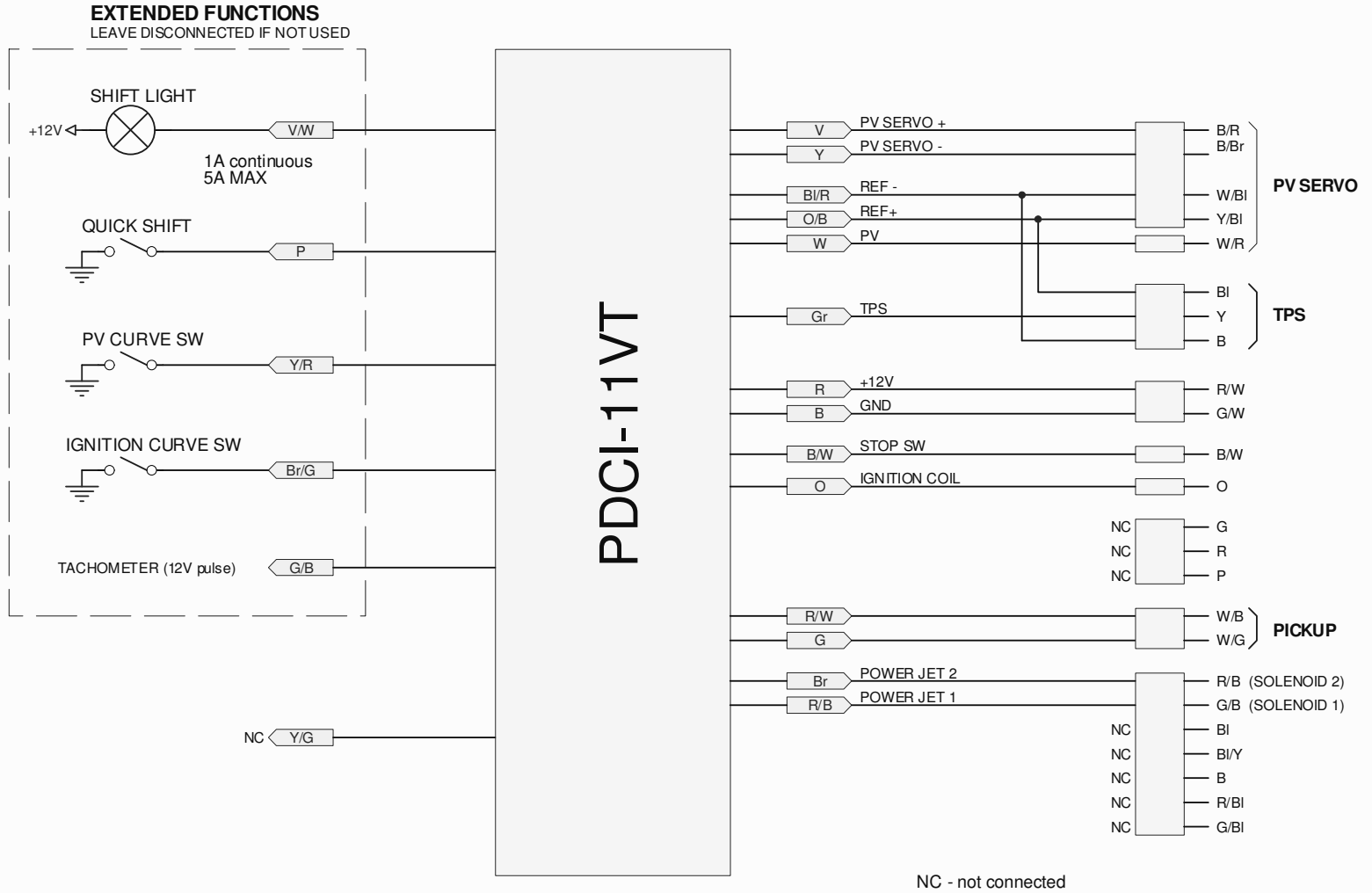




# TZR250 3ma (originall with 1 ignition unit)



**COLOUR CODES:**

- B - black
- Br - brown
- Bl - blue
- LL - light blue
- G - green
- R - red
- W - white
- Gr - gray
- V - violet
- P - pink
- O - orange
- NC - not connected

NC - not connected