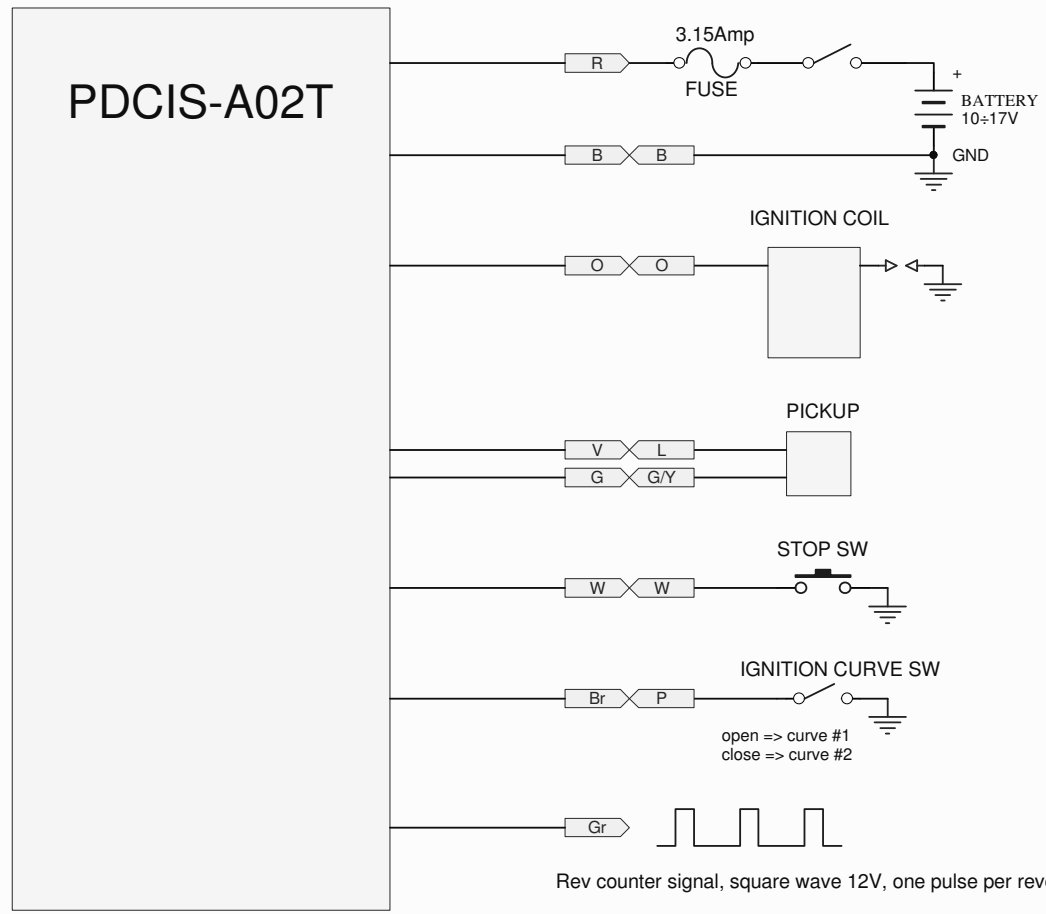


Wiring diagram KV997



Automatic power down mode.
 Power down current draw is 0.0005Amp.
 Power supply switch is not necessary.

COLOUR CODES:

- B - black
- Br - brown
- G - green
- R - red
- O - orange
- L - blue
- W - white
- V - violet

CDI have to be placed inside sealed e-box to prevent flooding and possible damage of CDI unit.