



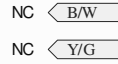
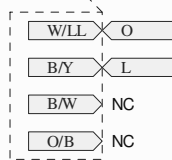
# Aprilia RS250

## COLOUR CODES:

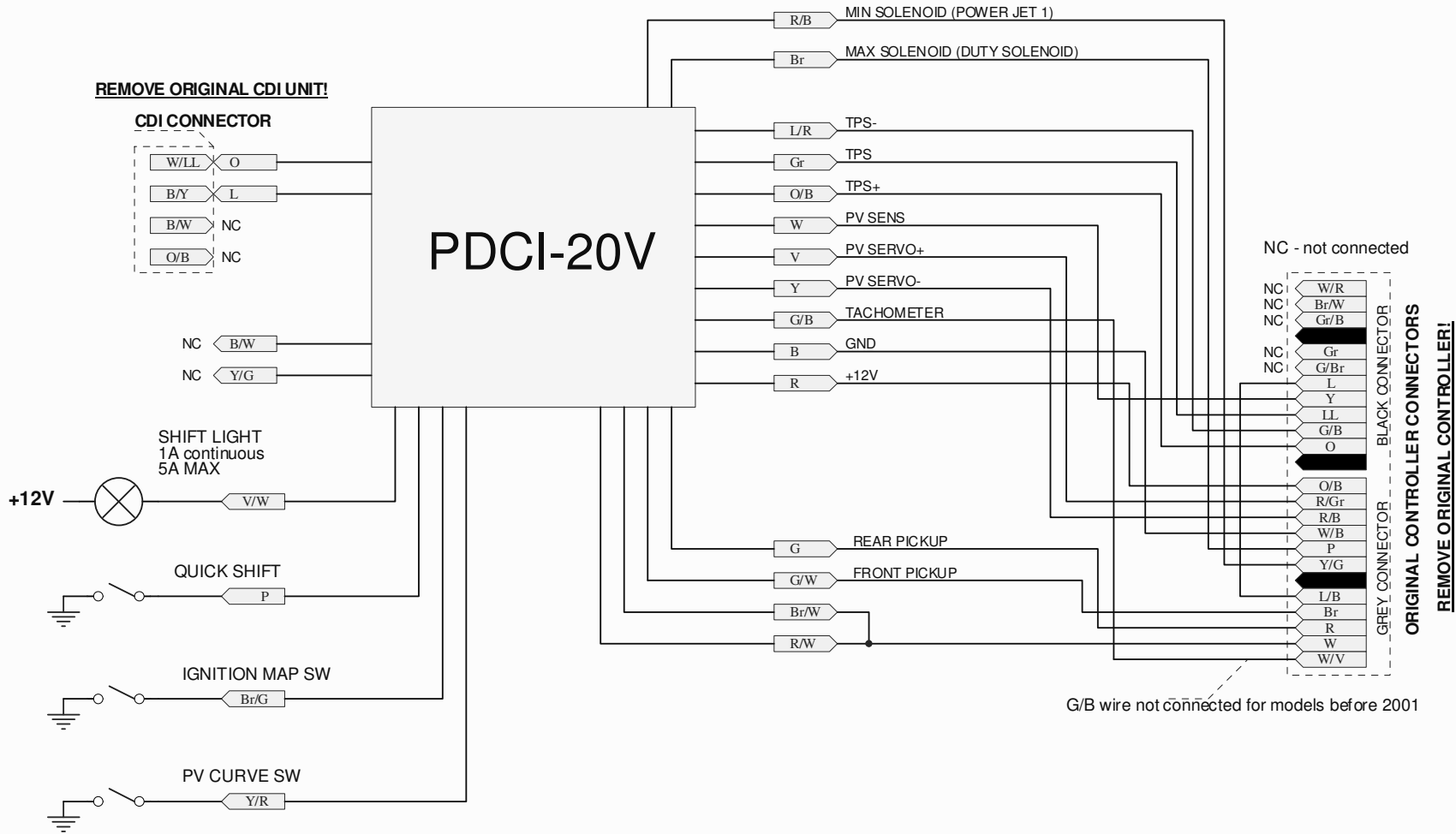
- B - black
- Br - brown
- L - blue
- LL - light blue
- G - green
- R - red
- W - white
- Gr - gray
- V - violet
- P - pink
- O - orange

**REMOVE ORIGINAL CDI UNIT!**

### CDI CONNECTOR



## PDCI-20V



SW "open" = ignition map #1  
 SW "close" = ignition map #2

SW "open" = PV curve #1  
 SW "close" = PV curve #2