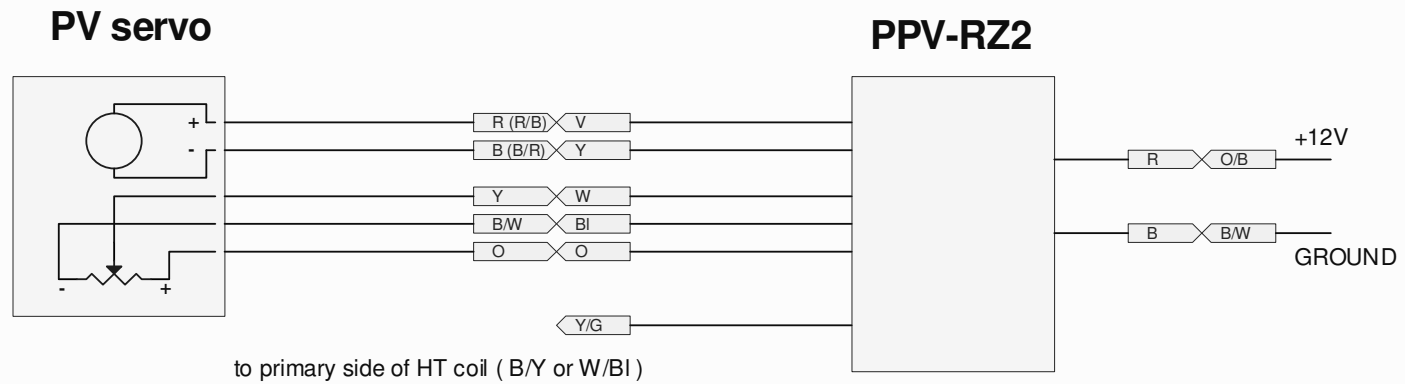


# RGV250



to primary side of HT coil ( B/Y or W/BI )

- |                    |            |
|--------------------|------------|
| B/R - black/red    | V - violet |
| B/Y - black/yellow | Y - yellow |
| W/R - white/red    | W - white  |
| W/B - white/black  | Bl - blue  |
| Y/Bl - yellow/blue | O - orange |
| Y/G - yellow/green | R - red    |
| G/B - green/black  | B - black  |
|                    | Br - brown |