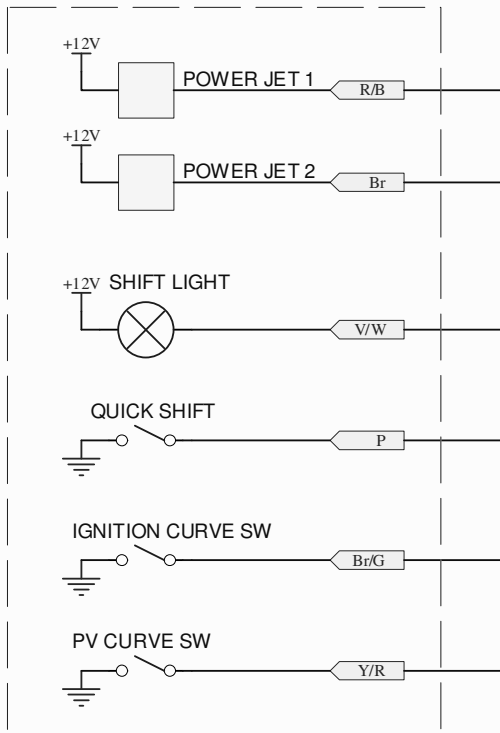


Wiring diagram Honda CR250R

EXTENDED FUNCTIONS

LEAVE DISCONNECTED IF NOT USED



COLOUR CODES:

- B - black
- Br - brown
- L - blue
- LL - light blue
- G - green
- R - red
- W - white
- Gr - gray
- V - violet
- P - pink
- O - orange
- Lg - light green

not connected 

