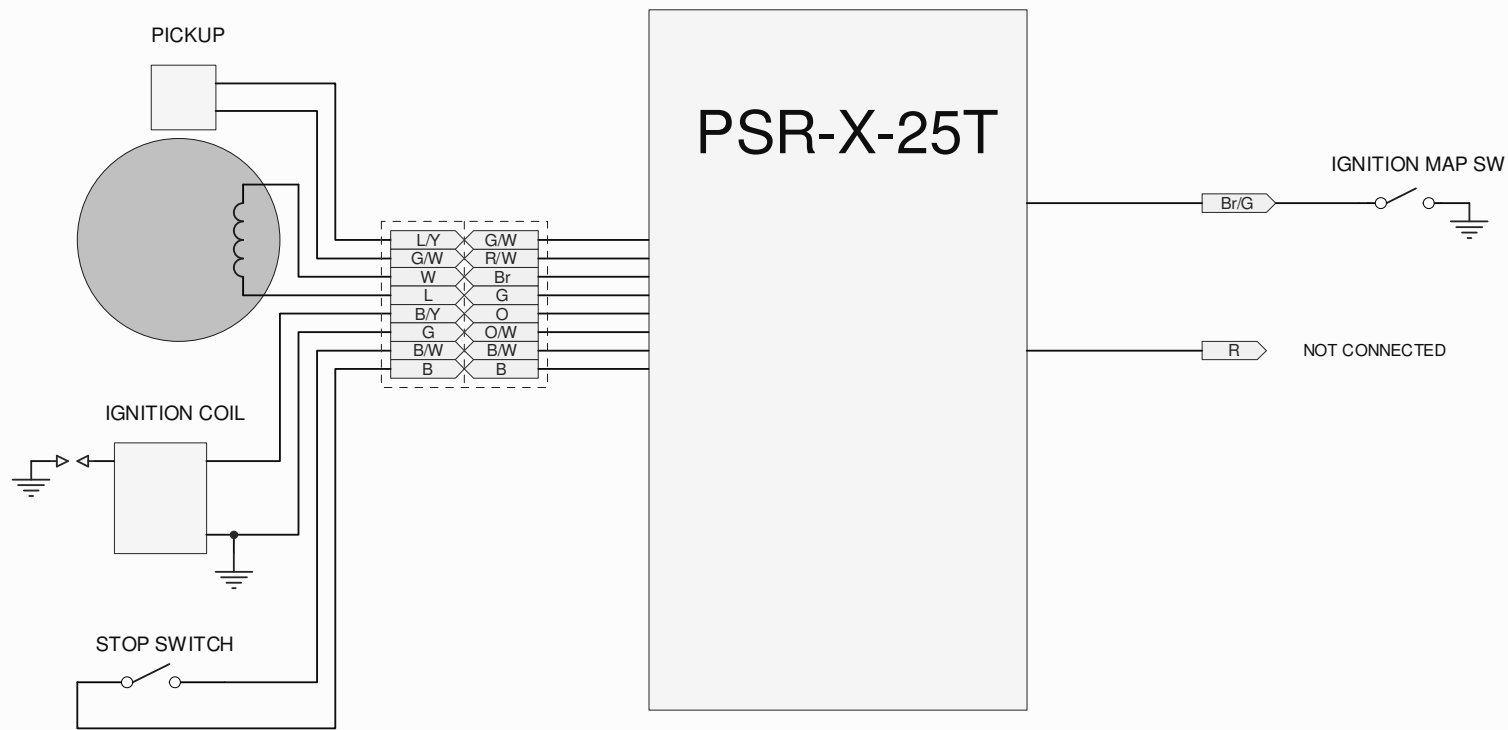




Wiring diagram PSR-X-25T for CR250R with 8pin CDI connector



PSR-X-25T IS PROGRAMMABLE CDI AND RUNS WITHOUT BATTERY
IT CAN BE PROGRAMMED WITH HANDHELD PROGRAMMER, OR PC

COLOUR CODES:

- B - black
- Br - brown
- L - blue
- LL - light blue
- G - green
- R - red
- W - white
- Gr - gray
- V - violet
- P - pink
- O - orange