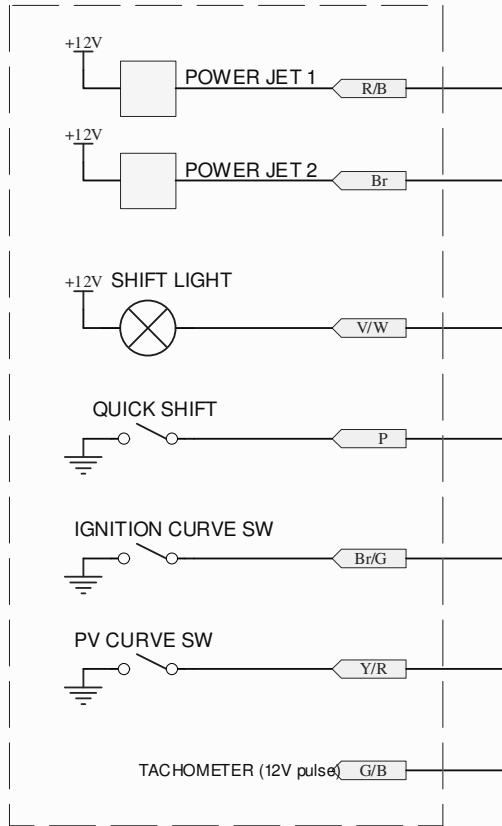


Wiring diagram Honda CR250R (2002-2007)

EXTENDED FUNCTIONS LEAVE DISCONNECTED IF NOT USED



not connected Y/G

COLOUR CODES:

- B - black
- Br - brown
- L - blue
- LL - light blue
- G - green
- R - red
- W - white
- Gr - gray
- V - violet
- P - pink
- O - orange
- Lg - light green

